

(54) Title of the invention : TEMPORARY SPEED BREAKER WITH UNDER CABLE TUNNEL.

(51) International classification :H04L0012460000, B23B0027140000, E21F0013000000, F25D0023080000, B22C0009080000

(86) International Application No :NA  
 Filing Date :NA

(87) International Publication No : NA

(61) Patent of Addition to Application Number :NA  
 Filing Date :NA

(62) Divisional to Application Number :NA  
 Filing Date :NA

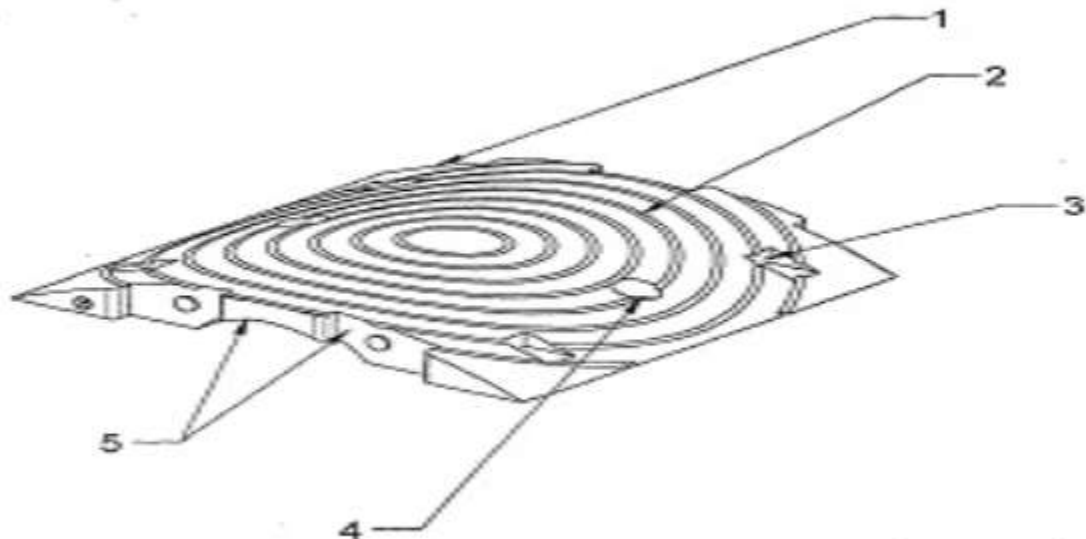
(71)Name of Applicant :  
**1)PANDIT DEENDAYAL ENERGY UNIVERSITY**  
 Address of Applicant :PANDIT DEENDAYAL ENERGY UNIVERSITY KNOWLEDGE CORRIDOR, RAISAN VILLAGE, GANDHINAGAR - 382007, GUJARAT, INDIA. ----  
 -----  
 Name of Applicant : NA  
 Address of Applicant : NA

(72)Name of Inventor :  
**1)P.JAYAKUMAR**  
 Address of Applicant :PANDIT DEENDAYAL ENERGY UNIVERSITY KNOWLEDGE CORRIDOR, RAISAN VILLAGE, GANDHINAGAR -382007, GUJARAT, INDIA. ----  
 -----

(57) Abstract :

The titled Speed breaker bump with power cable transfer tunnel designed to be installed on the important junction of the road as temporary speed breaker is used to regulate the speed of the moving vehicle while the cavity provided under the bumping blocks is used to pass the electric power cable from one side of the road to the another side of the road. The passing of under way electric cable is used to transfer the electric current from the available side to another side for utilizing the electric load used for construction or other maintenance works. The dual purpose of the bumping blocks of serving as speed breaker as well as the under cavity cable transfer is compactly designed .

FIGURE - 1



No. of Pages : 12 No. of Claims : 7