

(54) Title of the invention : RUNNING PRACTICE LIGHT SIMULATOR.

(51) International classification :B60T0008400000, A63B0069000000, G09B0023280000, A63B0069360000, G10D0013030000

(86) International Application No :NA
Filing Date :NA

(87) International Publication No : NA

(61) Patent of Addition to Application Number :NA
Filing Date :NA

(62) Divisional to Application Number :NA
Filing Date :NA

(71)Name of Applicant :
1)PANDIT DEENDAYAL ENERGY UNIVERSITY
 Address of Applicant :PANDIT DEENDAYAL ENERGY UNIVERSITY KNOWLEDGE CORRIDOR, RAISAN VILLAGE, GANDHINAGAR - 382007, GUJARAT, INDIA. ----

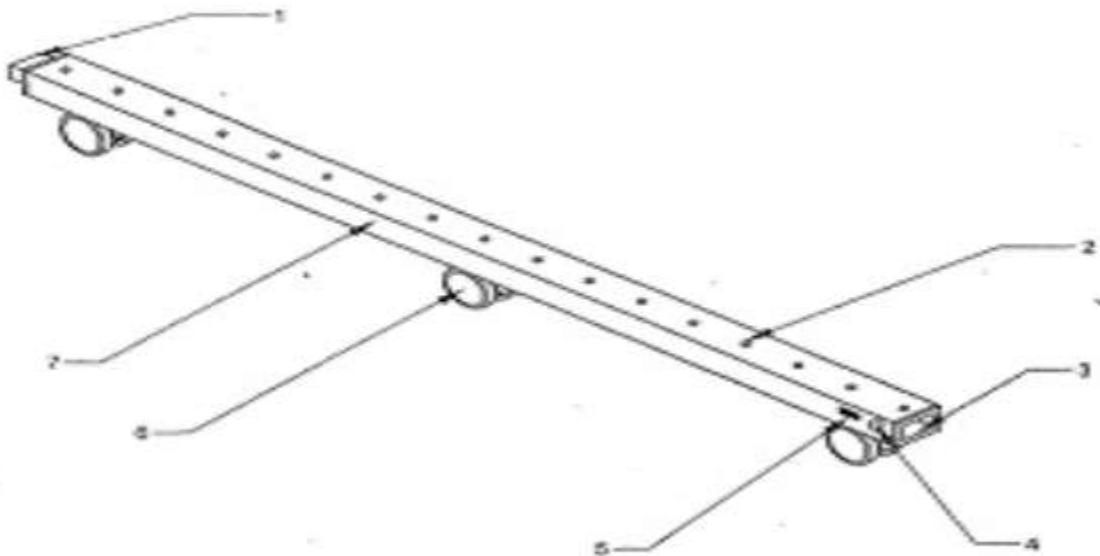
 Name of Applicant : NA
 Address of Applicant : NA

(72)Name of Inventor :
1)DR.SUNDAR MANOHARAN
 Address of Applicant :PANDIT DEENDAYAL ENERGY UNIVERSITY KNOWLEDGE CORRIDOR, RAISAN VILLAGE, GANDHINAGAR - 382007, GUJARAT, INDIA. ----

(57) Abstract :

The titled Running Practice Light Simulator is designed to perform the running practice by the practitioner by running and following along with the moving LED light effect. It creates more confidence with the practicing person and self reliant without seeking others' assistance or from the trainee coach. The device is stationed on the sides of the ground and while performing the running practice the device is switched on and the alternate LED lights are blinking with the selected speed which creates running simulation and the practicing person will follow the moving light and has to run along with that till reaching the target.

FIGURE - 1



No. of Pages : 8 No. of Claims : 4